



## USG BORAL HOOK-ON™ CEILING SYSTEM

Indoor and Outdoor Applications  
Submittal Sheet

The USG Boral Hook-on™ Ceiling System adds a clean and smooth visual appearance to any space for a modern look. The ceiling panels are available in multiple sizes. They can be easily installed or uninstalled separately, granting convenient access to the plenum.

**USG BORAL**   
INNOVATION INSPIRED BY YOU.™

[USGBoral.com](http://USGBoral.com)

Gypsum Boards

Ceilings

Compounds

Metal Framing

Substrates

# USG Boral Hook-on™ Ceiling System

## Features and Benefits

- A sealed ceiling design with simple Hook-on panels provides easy access to enclosed plenum
- Available in squared and beveled edges to create customised visual effects
- Concealed suspension system offers a smooth appearance
- Multiple suspension systems for both indoor and outdoor applications
- Security clips holds panels safely in place
- A wide range of colors and wood tones to achieve a customised effect
- Individually replaceable panels

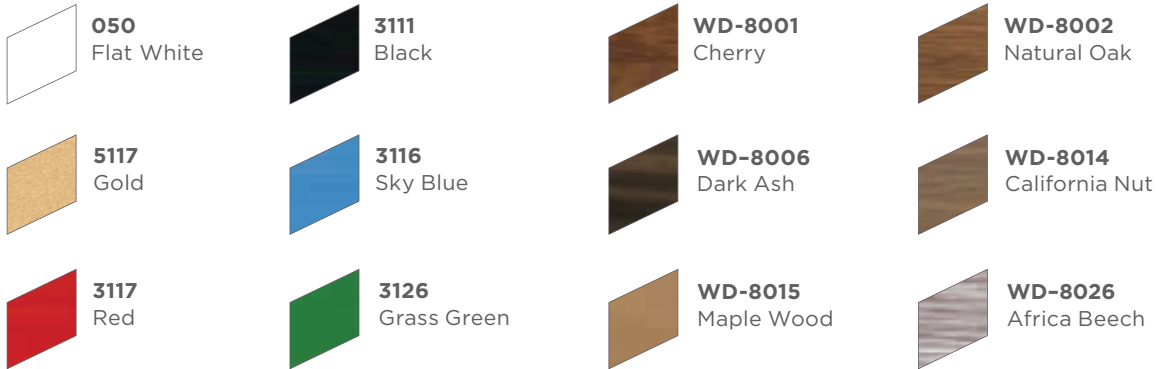
## Applications

- Transportation Centres, including Train Stations and Airports
- Lounges
- Foyers
- Corridors
- Commercial Spaces

## Material Options

- Aluminium
- Galvanised Mild Steel
- Stainless Steel

## Color Options



Over 45 colors and 26 wood look options.

Please refer to USG BORAL Series 2000-5000 and Wood Look Aluminium Metal Ceilings Color Guide. Due to printing limitations, shades may vary from actual product.

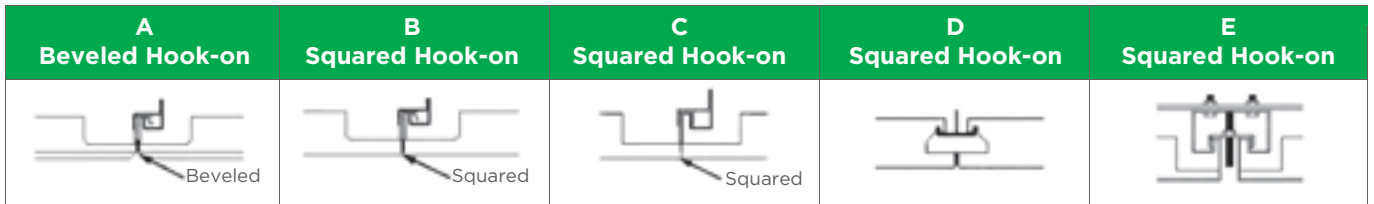
## Product Information

Panel Dimension and Edge Options

| Series | Item Number | Panel Size W x L (mm)      | Panel Edge |
|--------|-------------|----------------------------|------------|
| HO-601 | HO1-600     | 600 x 600                  | A,B        |
| HO-602 | HO2-3060    | 300 x 600                  | C          |
|        | HO2-30120   | 300 x 1200                 | C          |
|        | HO2-600     | 600 x 600                  | C          |
|        | HO2-60120   | 600 x 1200                 | C          |
|        | HO2-SPC     | Project specific dimension | C          |
| HO-603 | HO3-3060    | 300 x 600                  | D          |
|        | HO3-30120   | 300 x 1200                 | D          |
|        | HO3-600     | 600 x 600                  | D          |
|        | HO3-60120   | 600 x 1200                 | D          |
|        | HO3-SPC     | Project specific dimension | D          |
| HO-604 | HO4-400     | 400 x L                    | E          |
|        | HO4-500     | 500 x L                    | E          |
|        | HO4-600     | 600 x L                    | E          |
|        | HO4-SPC     | Project specific dimension | E          |

\*Panel sizes of more than 1000mm x 1000mm shall have increased material thickness and additional subframe to support increased weight. Please check with USG Boral for details.

## Panel Edge Detail



**PANEL EDGE OPTIONS**  
Multiple panel edge options are available to achieve a customised effect.

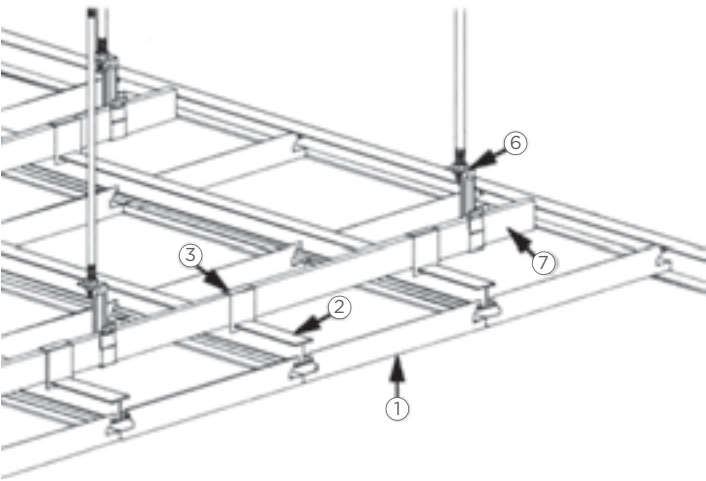
## Suspension System Components

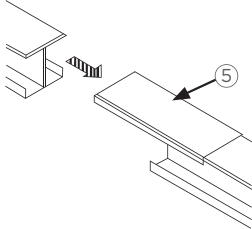
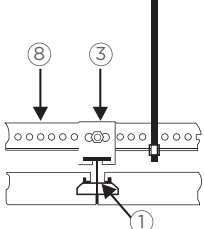
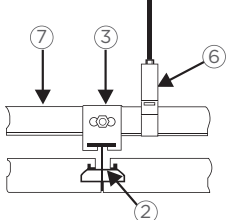
| Suspension System Detail | Series | Number | Item Number | Description      |
|--------------------------|--------|--------|-------------|------------------|
|                          | HO-601 | 1      | HO1-PANEL   | Ceiling panel    |
|                          |        | 2      | HO-101      | Z-runner         |
|                          |        | 3      | HO-102      | Z-runner bracket |
|                          |        | 4      | HO-103      | Security clip    |
|                          |        | 5      | HO-104      | Runner connector |
|                          |        | 6      | C-62        | C-channel        |

| Runner Connection Detail |
|--------------------------|
|                          |

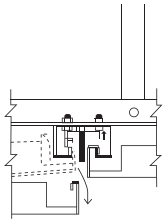
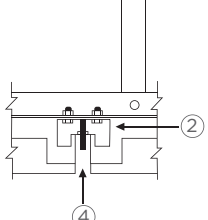
| Suspension System Detail | Series | Number | Item Number | Description      |
|--------------------------|--------|--------|-------------|------------------|
|                          | HO-602 | 1      | HO2-PANEL   | Ceiling panel    |
|                          |        | 2      | HO-101      | Z-runner         |
|                          |        | 3      | HO-103      | Security clip    |
|                          |        | 4      | HO-104      | Runner connector |

| Runner Connection Detail |
|--------------------------|
|                          |

| Suspension System Detail  | Series | Number | Item Number | Description         |
|---|--------|--------|-------------|---------------------|
|  | HO-603 | 1      | HO3-PANEL   | Ceiling panel       |
|   |        | 2      | HO3-101     | Aluminium H-runner  |
|   |        | 3      | HO3-102H    | H-runner bracket    |
|   |        | 4      | HO3-102L    | L-runner connector  |
|   |        | 5      | HO3-103     | H-runner connector  |
|   |        | 6      | C-62A       | C-channel bracket   |
|   |        | 7      | C-62        | C-channel           |
|   |        | 8      | WG-101      | L-perforated runner |

| Runner Connection Detail   | L-Perforated Runner Detail   | C-Perforated Runner Detail   |
|--|--|--|
|  |  |  |

| Suspension System Detail  | Series | Number | Item Number | Description    |
|---|--------|--------|-------------|----------------|
|  | HO-604 | 1      | HO4-PANEL   | Ceiling panel  |
|   |        | 2      | HO4-101     | O-shape runner |
|   |        | 3      | HO4-101A    | Z-runner       |
|   |        | 4      | HO4-102     | Security clip  |

| Hook-on Detail  | Security Clip Detail  |
|---|---|
|  |  |

## Technical Data and Notes

### Light Reflectance

Flat White (050): Up to LR 0.80 (less with optional perforated panels).

### Material

Minimum material thickness of 0.7mm. Please advise USG Boral of project specific panel sizes for minimum thickness recommendation.

### Finishing

Electrostatically applied polyester powder coating. Minimum coating thickness of 60 microns. Very low VOC emissions.

### Weight per square metre

Aluminium

0.7mm thickness, non-perforated panel, 600mm x 600mm. Calculated panel weight = 2.2kg/m<sup>2</sup>

### Warranty

Please refer to Metal Ceiling Warranty CW2015B

### Installation

Please refer to USG Boral Hook-on Ceiling System Technical Manual (Installation Guide) TM\_C\_HO\_1117

| Tests  | Standards    | Performance  |
|--|--------------|--|
| Surface burning characteristics                          | ASTM E84     | Flame Spread Index = 10<br>Smoke Developed Index = 0               |
| Dimensional tolerance                                    | BS 8290-2    | Comply within allowable limits                                     |
| Non-combustility test for materials                      | BS 476-4     | Non-combustible  |
| Fire propagation and surface spread of flame of products | BS 476-6 & 7 | Class 0  |
| Sound absorption and sound absorption coefficients       | ASTM C423    | NRC & SAA values varies with hole diameter, pitch and open area %  |
| Organic emissions from indoor materials or products      | ASTM D5116   | Below allowable limits of emission rates in GBCA guide             |
| Analysis of pyrolysis and combustion gases               | NF X 70-100  | Below allowable limits of IDLH values in NIOSH guide               |
| Luminous reflectance factor of acoustical materials      | ASTM E1477   | LR values varies with hole diameter, pitch, open area % and finish |

Safety First! Follow good safety or industrial hygiene practices during installation. Wear appropriate personal protective equipment. Read SDS and literature before specification and installation.

Australia  
China  
India  
Indonesia  
**Malaysia**  
Middle East  
New Zealand  
Philippines  
Singapore  
South Korea  
Thailand  
Vietnam

3rd Floor 108 Central Building A  
108 E. Rodriguez Jr. Avenue, Bagumbayan,  
Quezon City, Philippines 1110  
T: +63 2 911 6709 | F: +63 2 911 6709 ext. \*98  
[info.ph@usgboral.com](mailto:info.ph@usgboral.com)

